



# Y2600 Series Door Closer

Standard Installation Template Adjustable Size 2 - 6

254 for 180° Maximum Opening  
304 for 102° Maximum Opening

2 - #14 wood or M6x20 machine screw



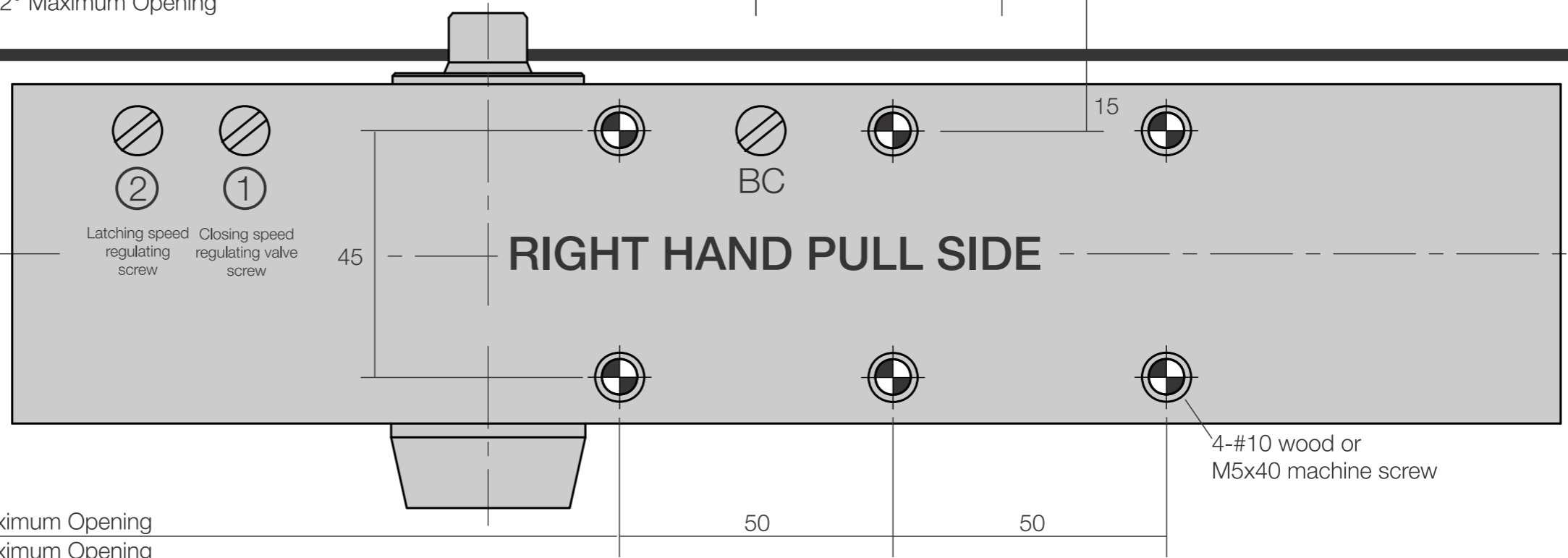
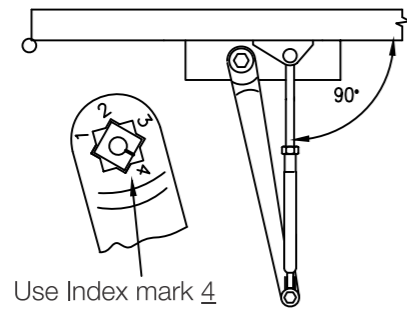
45

30

## DOOR FRAME

### TOP OF DOOR

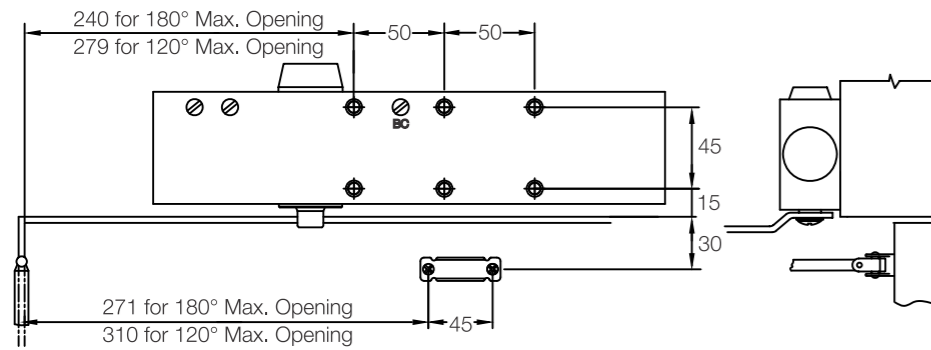
#### POSITION OF ARM & INDEX SETTINGS



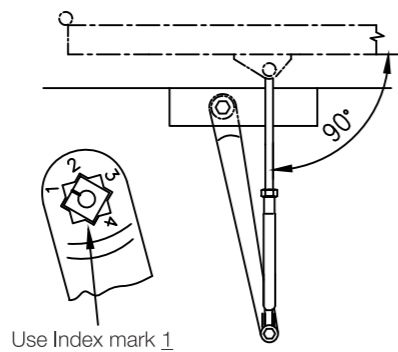
229 for 180° Maximum Opening  
279 for 120° Maximum Opening

## TOP JAMB INSTALLATION

Closer mounted on top jamb on PUSH side of door.  
Reveals of 70 to 127mm requires longer connecting arm.  
LEFT HAND PUSH SIDE SHOWN

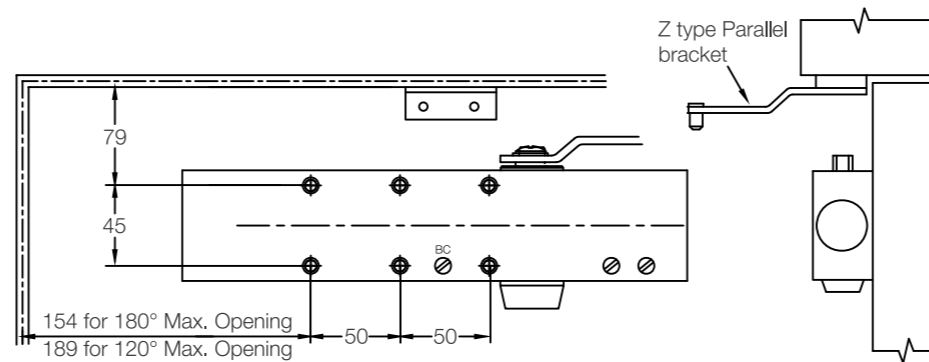


#### POSITION OF ARM & INDEX SETTINGS

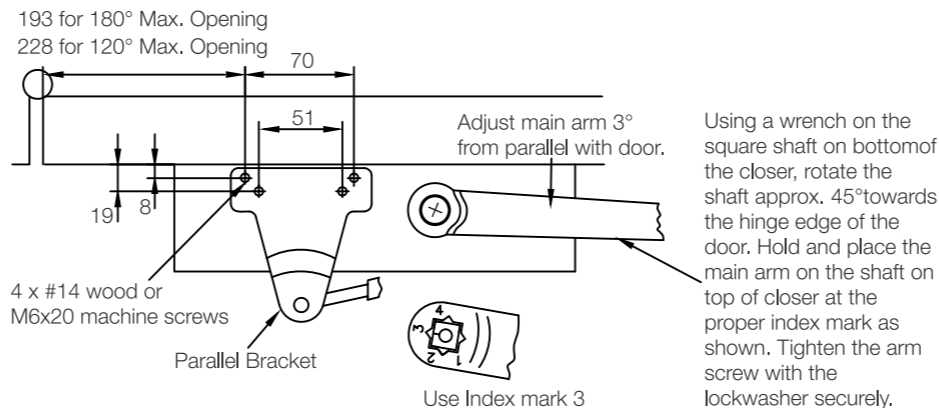


## PARALLEL ARM INSTALLATION

Closer mounted on PUSH side of door.  
LEFT HAND PUSH SIDE SHOWN



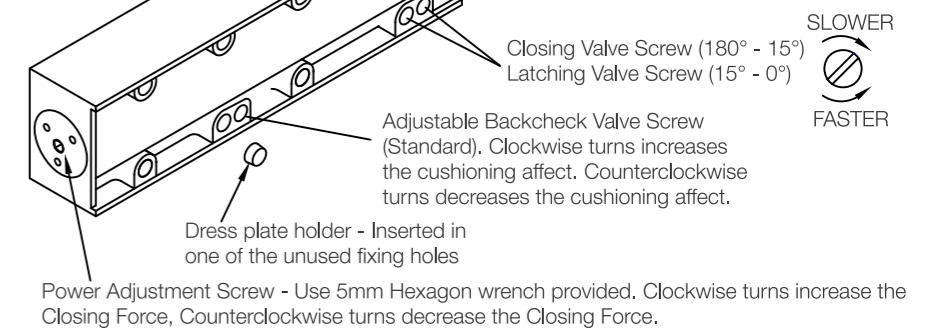
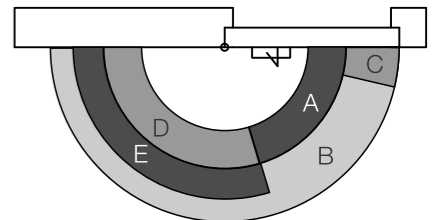
#### POSITION OF ARM & INDEX SETTINGS



## SPRING POWER AND VALVE ADJUSTMENT

Adjustable Delayed action, clockwise turns increase delay time, counterclockwise turns decrease delay time.

- A. Regular Opening
- B. Closing Range 180° - 15°
- C. Latching Range 15° - 0°
- D. Backcheck Range 70° - 180°
- E. Delayed Action 180° - 70°

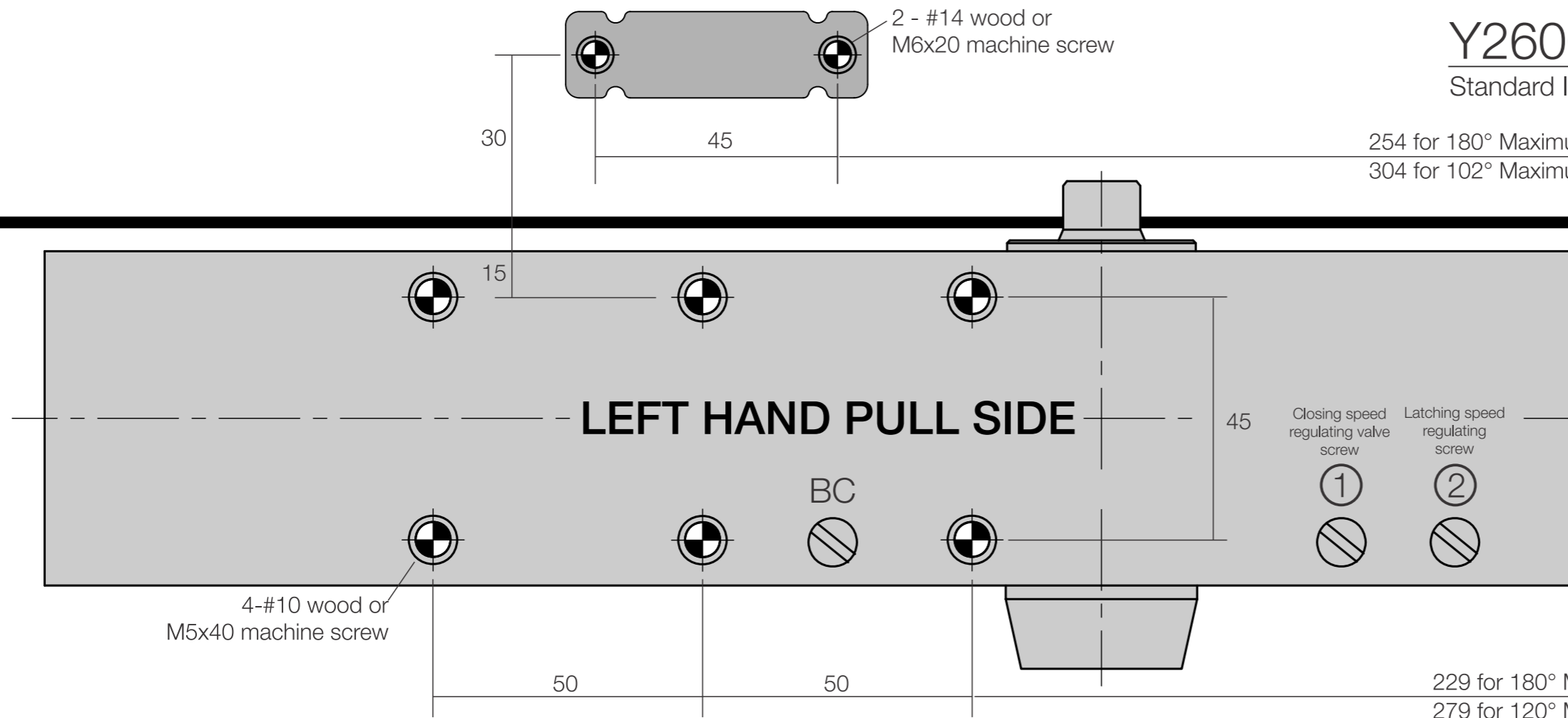


#### STANDARD AND TOP JAMB INSTALLATIONS PARALLEL ARM INSTALLATIONS

SIZE	No. of Turns	Direction	SIZE	No. of Turns	Direction
2	3	Counterclockwise	1	3	Counterclockwise
3	0	Factory Preset	2	0	Factory Preset
4	4	Clockwise	3	4	Clockwise
5	8	Clockwise	4	8	Clockwise
6	11	Clockwise	5	11	Clockwise

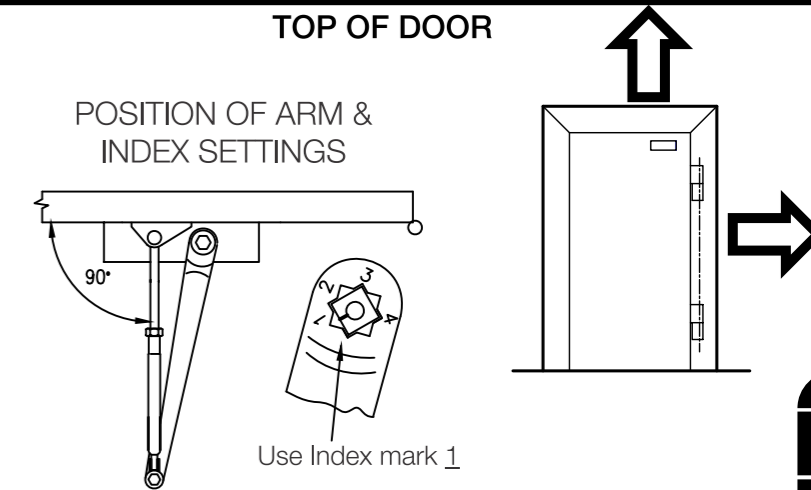
# Y2600 Series Door Closer

Standard Installation Template Adjustable Size 2 - 6



254 for 180° Maximum Opening  
304 for 102° Maximum Opening

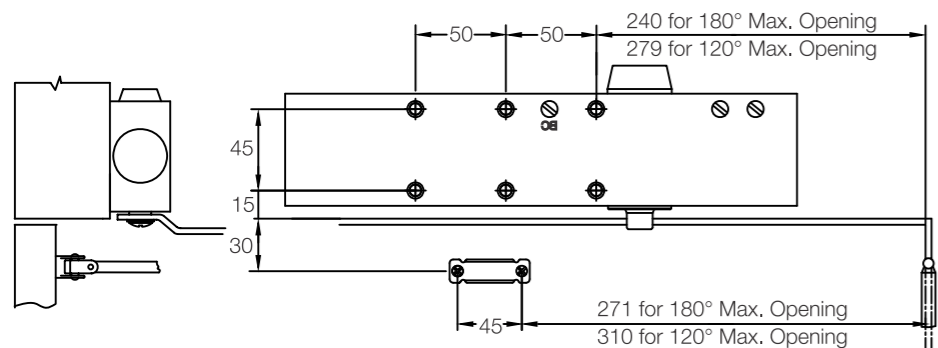
DOOR FRAME  
TOP OF DOOR



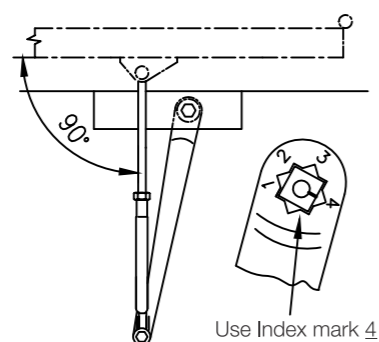
229 for 180° Maximum Opening  
279 for 120° Maximum Opening

## TOP JAMB INSTALLATION

Closer mounted on top jamb on PUSH side of door.  
Reveals of 70 to 127mm requires longer connecting arm.  
RIGHT HAND PUSH SIDE SHOWN

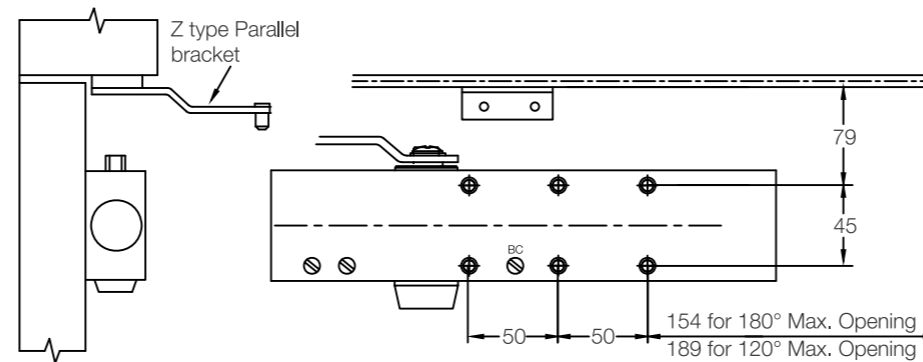


POSITION OF ARM & INDEX SETTINGS



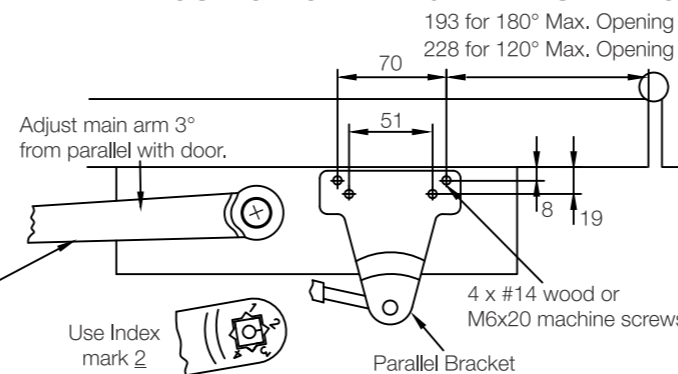
## PARALLEL ARM INSTALLATION

Closer mounted on PUSH side of door.  
RIGHT HAND PUSH SIDE SHOWN



POSITION OF ARM & INDEX SETTINGS

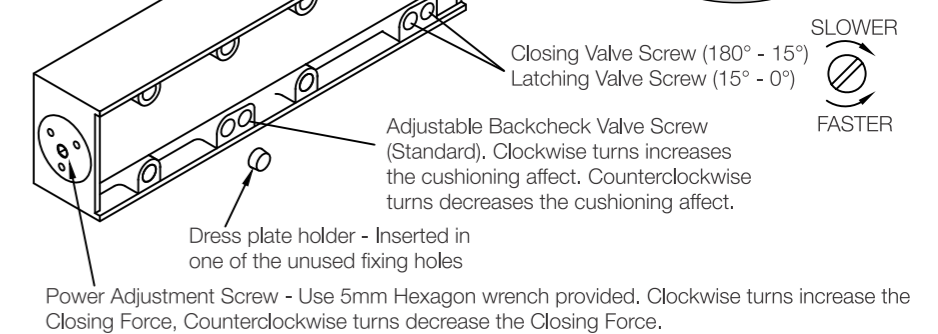
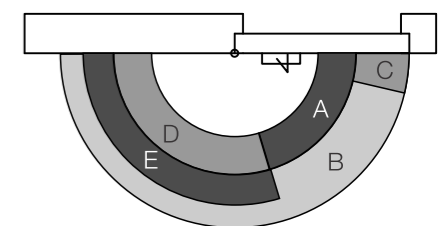
Using a wrench on the square shaft on bottom of the closer, rotate the shaft approx. 45° towards the hinge edge of the door. Hold and place the main arm on the shaft on top of closer at the proper index mark as shown. Tighten the arm screw with the lockwasher securely.



## SPRING POWER AND VALVE ADJUSTMENT

Adjustable Delayed action, clockwise turns increase delay time, counterclockwise turns decrease delay time.

- A. Regular Opening
- B. Closing Range 180° - 15°
- C. Latching Range 15° - 0°
- D. Backcheck Range 70° - 180°
- E. Delayed Action 180° - 70°



STANDARD AND TOP JAMB INSTALLATIONS      PARALLEL ARM INSTALLATIONS

SIZE	No. of Turns	Direction	SIZE	No. of Turns	Direction
2	3	Counterclockwise	1	3	Counterclockwise
3	0	Factory Preset	2	0	Factory Preset
4	4	Clockwise	3	4	Clockwise
5	8	Clockwise	4	8	Clockwise
6	11	Clockwise	5	11	Clockwise