

Product description

The strike works on compressed air.

The electric strike is locked when unpressurized

When compressed air is supplied, the electric strike is unlocked.

Use for EX zones 1, 2, 21, 22 with an ignition energy of more than 3mJ.

Labels:

Gas atmosphere: II 2G Ex h IIB T4 Gb X

Dust atmosphere: II 2D Ex h IIIC T80 °C Db X

Overview of Advantages

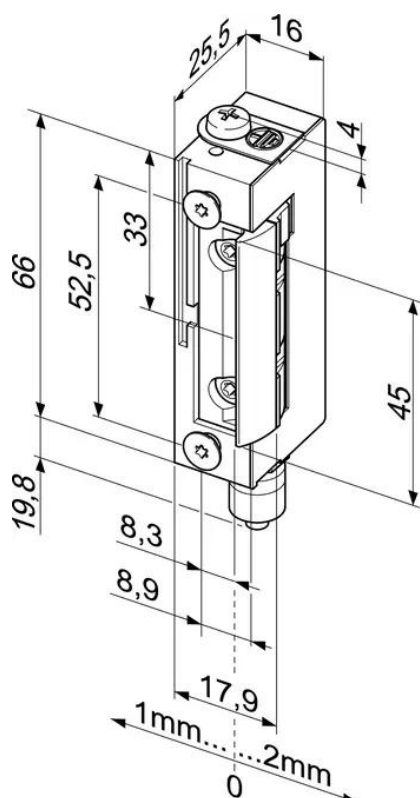
- For use in explosion-prone areas
- Radius keeper, FaFix®, adjustable by 3 mm
- Low mounting depth
- Compatible with available striking plates

Note

- The installation instructions must be observed!

Technical data

Dimensions	Depth: 25.5 mm , Height: 90 mm , Width: 16 mm
Latch version	Radius keeper
Mounting	symmetrical
Installation position	universal
Configuration	Frame component
With fixing	No
With mechanical unlocking	No
With feedback signal	No
Opening direction according to DIN	left/right
Waterproof	No
Mounting method	Installation
Compatible with Apple HomeKit	No
Compatible with Google Assistant	No
How they work	other
Compatible with Amazon Alexa	No
IFTTT support available	No
Pulse contact	No
Adjustable keeper	Yes
Adjustable electric strike	No
Adjustable strike plate	No
Latch bolt guide integrated	No
For latch bolt slide	No
Unlocking type	Standard version
Mechanical unlocking	No
Suitable for smoke protection door	No
Forend shape	without
With strike plate	No
Latch adjustment range	3 mm
Load cycles for in-plant test	500000
Changeable connection	No
Clampable/ plug-in connection	No
Protective diode	No
Noise reduction	No
Drill hole offset by 1 mm	No
Unlocking time	0.8 s
Version	explosion-proof electric strike
Break-in resistance	9000 N
Operating temperature range	-10-50



Pneumatic strike EX118P



Certified in compliance with	ATEX; EN14846
Suitable for fire door	No
<hr/>	
Article number	EX118P-----01
EAN	4042203660809