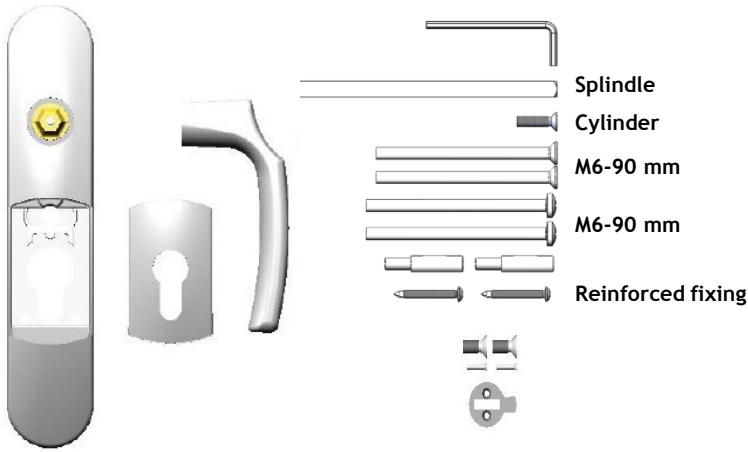


Installation Instructions for FLUID Outside Lever Trim

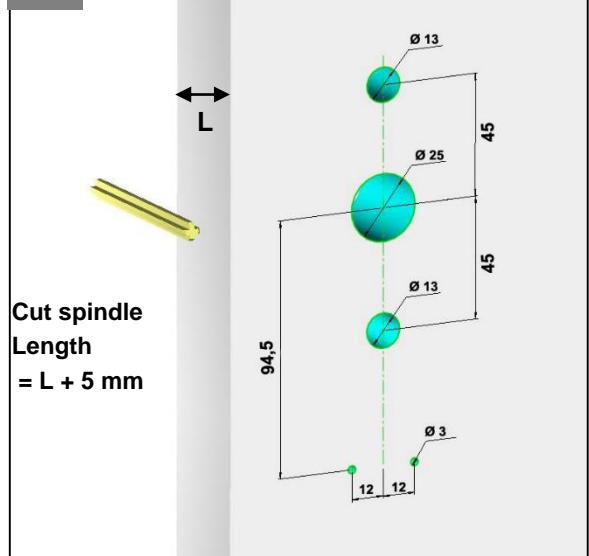


ASSA ABLOY

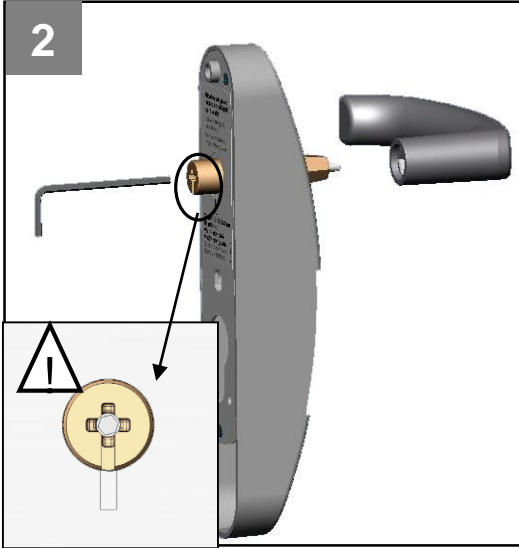
CONTENT OF THE PACKAGE



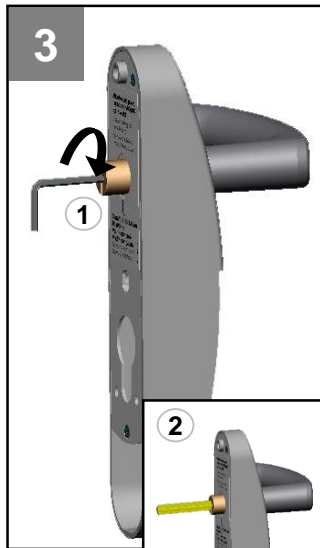
1 DOOR PREPARATION



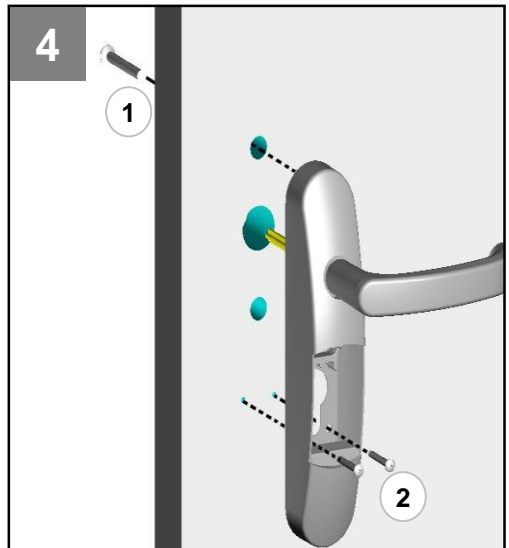
2



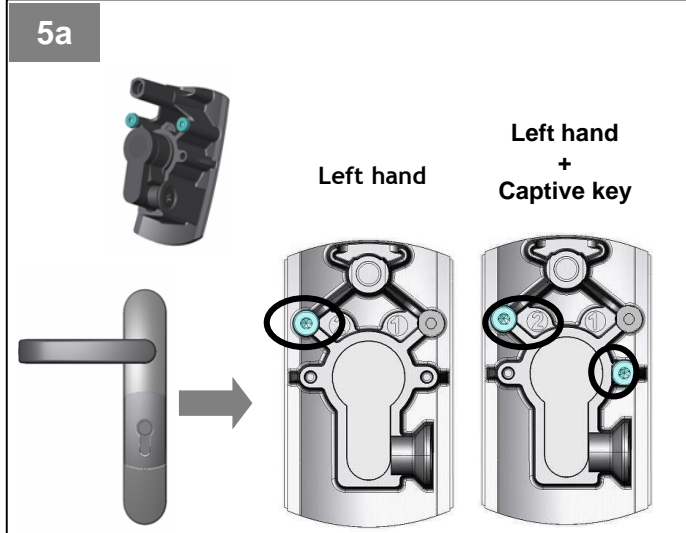
3



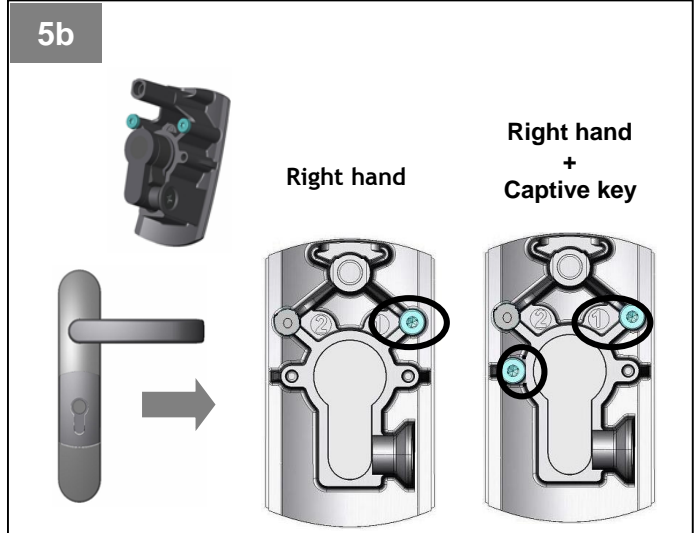
4



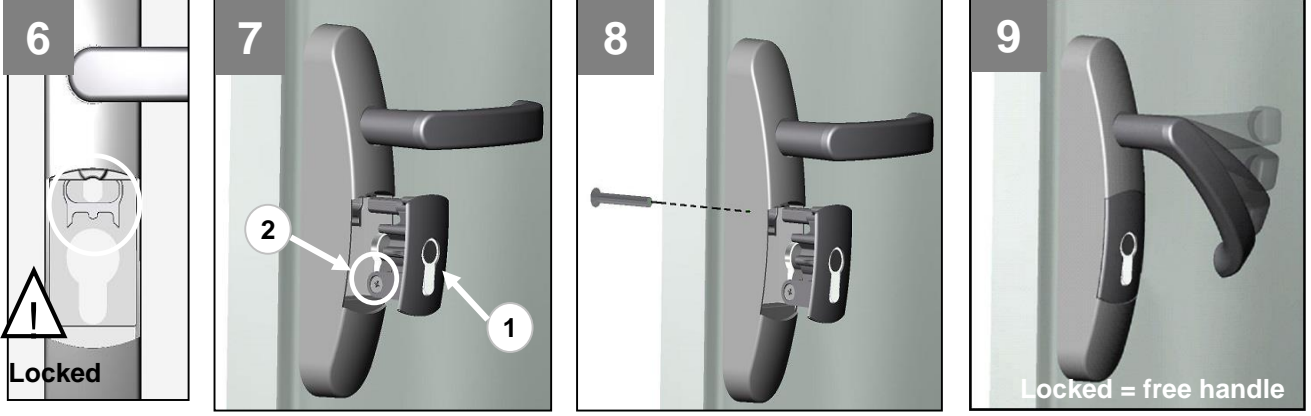
5a



5b



N01-1006 Ind A

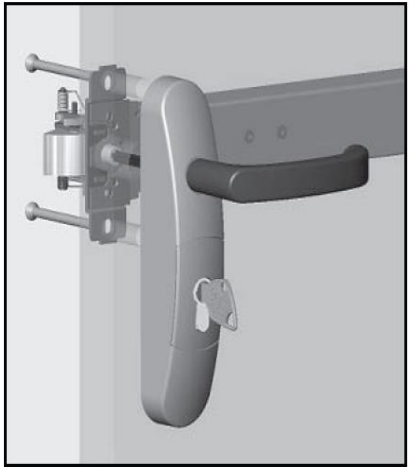


10 OPERATING

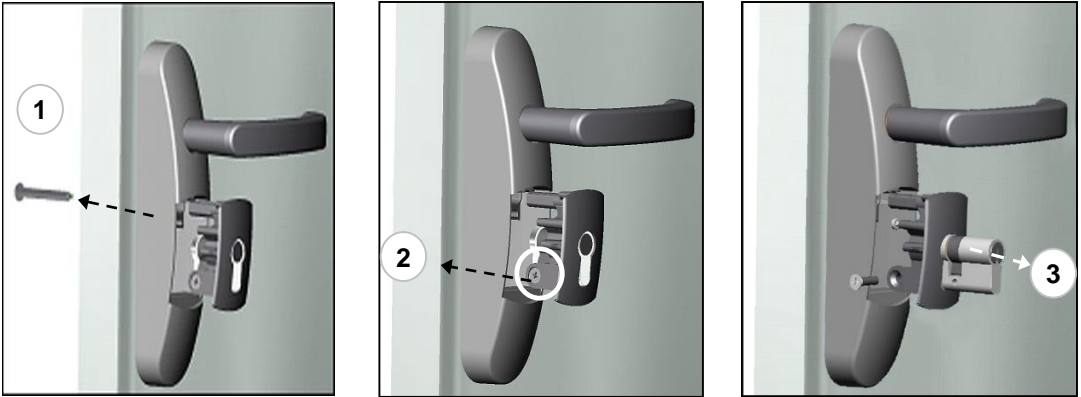
-Check the free movement of the follower by operating the handle: the bolt(s) must retract without abnormal effort.

- Check if the panic exit device works correctly by pushing on the operating bar (with the trim locked and unlocked).

The spindle must not be too long to avoid any pressure onto the panic exit device. Adjust it if necessary.



11 CHANGING THE CYLINDER (product already installed) Remove the key. Do not handle the cylinder during the operation



12 CLUTCHABLE FUNCTION



Trim locked by key

Disengaged without damage

Reset in original position

ASSA ABLOY is the global leader in door opening solutions, dedicated to satisfying end-user needs for security, safety and convenience